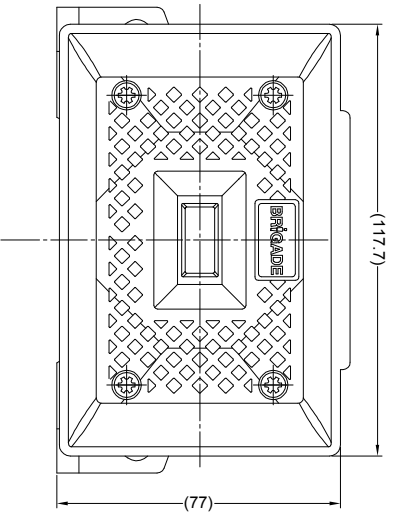
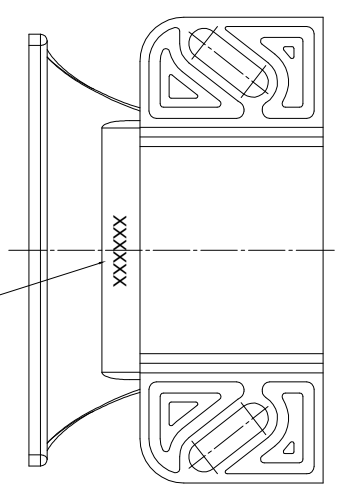
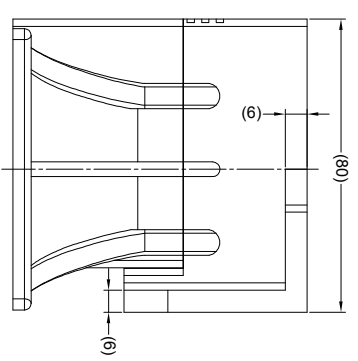
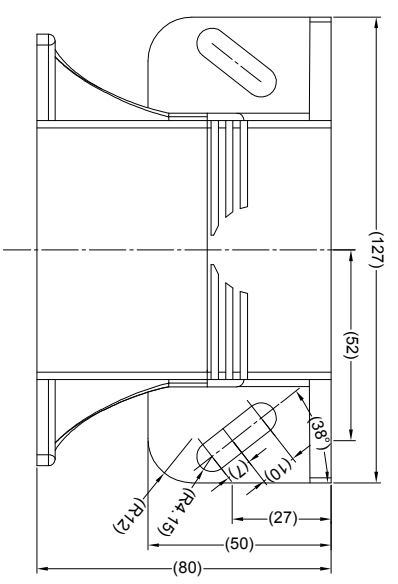
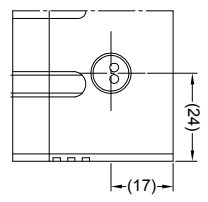
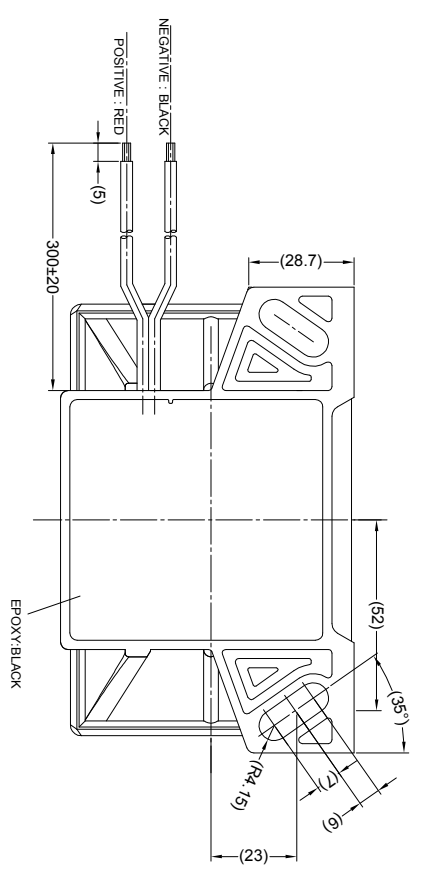


| | | | |
|---|-------------|------------------|------------------|
| Revision Notes | | | |
| R1 - NOTES UPDATED TO INCLUDE LABEL DETAILS AS PER ECR CR-4271. | | | |
| AP.A: KILDA | Drawn/BATES | Checked/M/BUTLER | Approved/G/SLITH |
| | | | Date: 28/08/14 |



- SPECIFICATION**
1. RATED VOLTAGE: 12/24 VDC (WORKING VOLTAGE RANGE 9 ~ 32V)
 2. RATED CURRENT: 0.3 AMPERES OR LESS.
 3. SOUND PRESSURE: 107±4dB AT TEST VOLTAGES OF 14-28 VOLTS. (AS MEASURED AT A DISTANCE OF 1.2m AND AT A HEIGHT OF 1.2m ABOVE THE GROUND)
 4. FREQUENCY: 1900±200 Hz AT TEST VOLTAGES OF 14 AND 28 VOLTS.
 5. INTERMITTENCE: 80±10 CYCLES PER MINUTES AT TEST VOLTAGES OF 14 AND 28 VOLTS.
 6. DURABILITY: CONTINUOUS 500 HOURS AT TEST VOLTAGE OF 32 VOLTS.
 7. TEMPERATURE RANGE: -40°C ~ 85°C.
 8. WATER RESISTANCE: TO RESIST WATER AND BE ABNORMALITY-FREE AS TESTED SUBJECT TO ITEM S1, JIS D0203.
 9. VIBRATION RESISTANCE: PER SAE J994.
 10. SURGE VOLTAGE TEST: TO ABNORMALITY-FREE AS TESTED SUBJECT TO IS07637 ITEM 3a, 3b, 5.
 11. OTHERS: MEETS REQUIREMENTS OF SAE J994.

- NOTES:**
1. FOR PRODUCT LABEL REFER TO LATEST REVISION OF DRAWING BE-002833-XX-14.
 2. FOR GIFTBOX LABEL REFER TO LATEST REVISION OF DRAWING BE-002834-XX-14.
 3. 'R' TRIANGLE INDICATES CHANGES MADE TO REVISION AS IDENTIFIED IN NOTES.



PROPRIETARY NOTICE

THIS DESIGN AND TECHNICAL INFORMATION APPEARING ON THIS DRAWING IS THE PROPERTY OF BRIGADE ELECTRONICS, AND IS DISCLOSED IN CONFIDENCE. IT IS NOT TO BE COPIED, REPRODUCED, REVEALED TO OR EXPLOITED BY OTHERS, EITHER IN WHOLE OR IN PART WITHOUT THE EXPRESS WRITTEN CONSENT OF BRIGADE ELECTRONICS.

BRIGADE®
www.brigade-electronics.com

| | | | | |
|--|----------------------|-------------|------------|-----------------|
| Angle of Projection Third Angle | Assembly Pt Approval | Approved by | Checked by | Drawn by |
| | - | DKERAL | DKERAL | BKHEZR |
| | Units | Scale | Released | Assembly Ref |
| | mm | N/A | 22/08/14 | - |
| | Status | | | |
| | RELEASED | | | BA-680 |
| | Part No | | | BE-000178-01-04 |